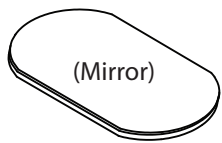


# Canary Bar Cart

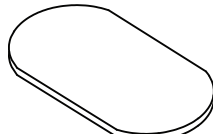
Part # BTC-CNRY XX+XX

18-0702

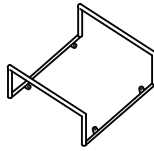
**PARTS**



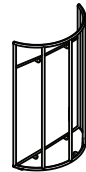
A



B



C



x2  
D



x4  
E



(M6 x 15mm)  
x10  
F



(M6 x 25mm)  
x4  
G

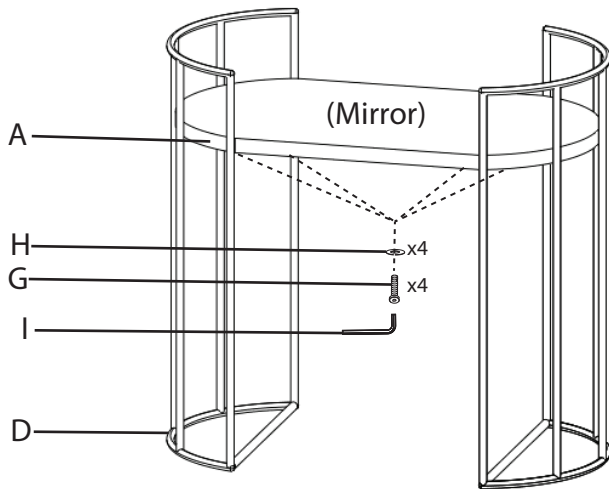


x14  
H

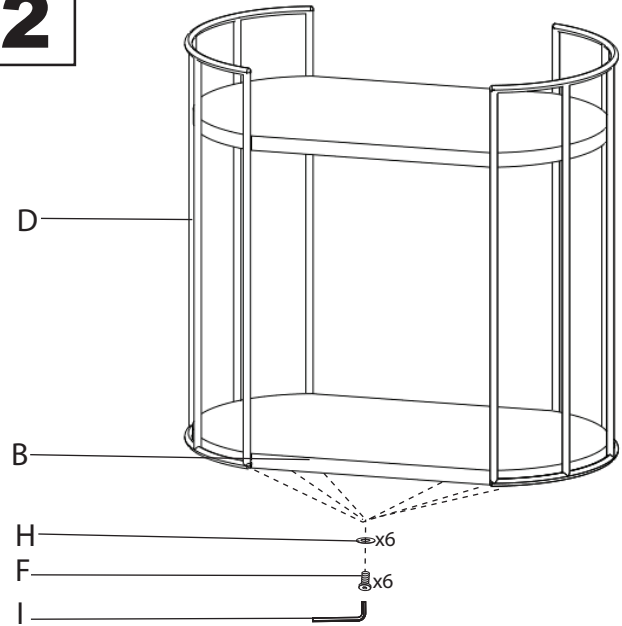


I

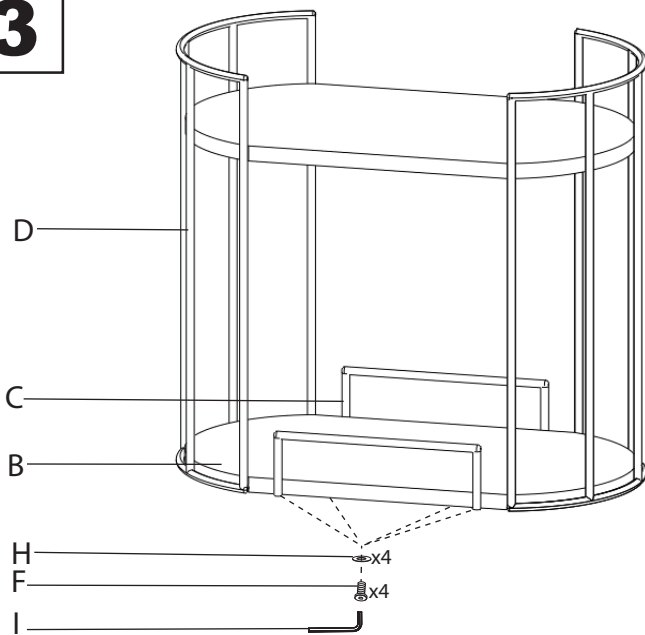
**1**



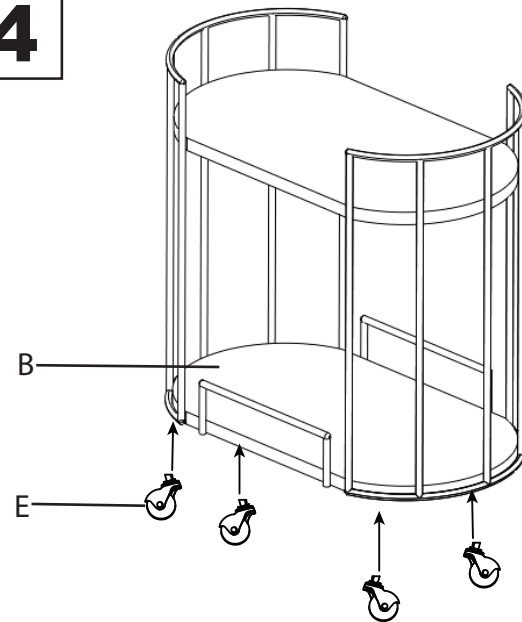
**2**



**3**



**4**



Do not over tighten.  
 Do not use power tools to assemble.